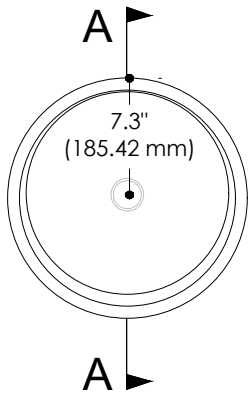
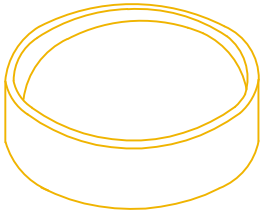
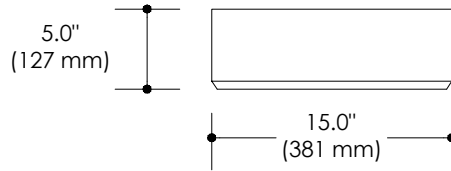


RANCHO

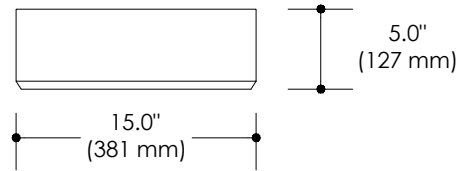
LORIOT LINE



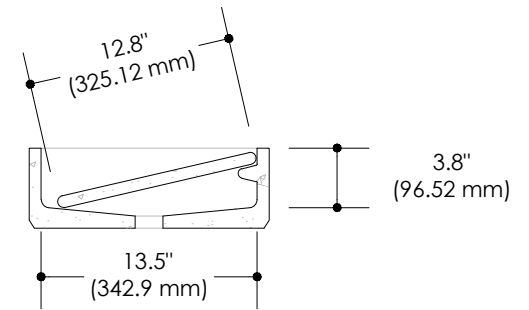
PLAN VIEW



FRONT VIEW



SIDE VIEW



SECTION A

NOTES AND SPECIFICATIONS

Due to the intrinsic properties of concrete and the involved artisanal process, variations in color and pattern of the final product are to be expected.

Cygne Béton takes no responsibility for any dimensions taken by scaling directly on this drawing.

Dimensions are specified in inches (") and in millimeters (mm)

The drain opening is standard and compatible with 1 3/4" piping

All our sinks and basins are designed without an overflow

DIMENSIONS

	CODE	SKU000106
L 15" (381 mm)	WEIGHT	N/A
H 5" (127 mm)	BRACKETS	NOT INCLUDED
	DRAWN BY	MPR
	TOLERANCE	+/- 1/8" (3 mm)



1 888-500-2580
www.cygnebeton.com
RBQ-57233975-01
info@cygnebeton.com