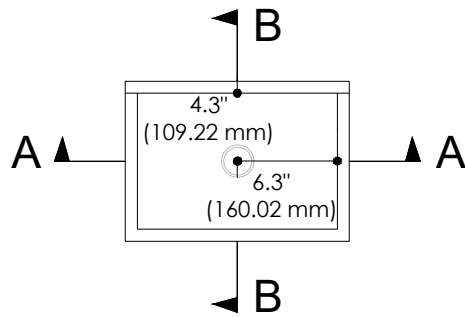
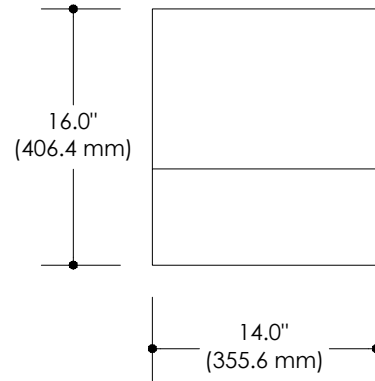


# CACHET

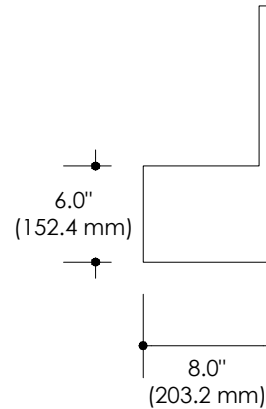
LORIENT LINE



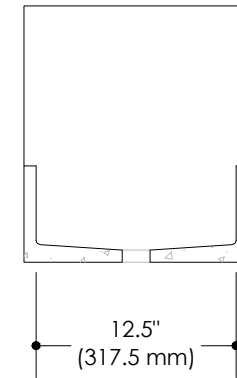
PLAN VIEW



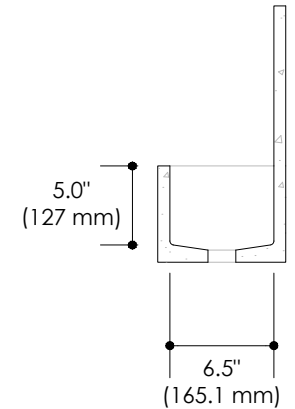
FRONT VIEW



SIDE VIEW



SECTION A



SECTION B

## NOTES AND SPECIFICATIONS

Due to the intrinsic properties of concrete and the involved artisanal process, variations in color and pattern of the final product are to be expected.

Cygne Béton takes no responsibility for any dimensions taken by scaling directly on this drawing.

Dimensions are specified in inches (") and in millimeters (mm)

The drain opening is standard and compatible with 1 3/4" piping

All our sinks and basins are designed without an overflow

## DIMENSIONS

L 14" (355.6 mm)	CODE	SKU000104
	WEIGHT	N/A
	BRACKETS	NOT INCLUDED
	DRAWN BY	MPR
W 8" (203.2 mm)	TOLERANCE	+/- 1/8" (3 mm)
H 16" (406.4 mm)		

**CYGNE**  
**BETON**

1 888-500-2580  
www.cygnebeton.com  
RBQ-57233975-01  
info@cygnebeton.com